

Edwards® 876 Series AdaptaHorn® Grille Type AC Weatherproof Vibrating Horn NEMA 4X Enclosure

PLC Compatible*



Cat. No. 876

Features

- PLC compatible
- Convenient plug-in assembly
- Corrosion resistant finish
- Completely assembled
- Volume adjustable
- NEMA 4X enclosure

Description

The Edwards 876 Series is a low-current, high decibel, vibrating horn for heavy-duty use and is UL listed to NEMA 4X enclosure requirements. The die-cast weatherproof box has a durable, corrosion resistant, electrostatic heat flowed powder epoxy gray finish. May be used for indoor applications.

Agency Approvals

- UL Listed 50/60 Hz
- FM Approved

Specifications

- Adjustable output: 78 to 103 dB
- 400 hour rating at 50% duty cycle
- Operating range: -20% to +10% of nominal voltage

Installation

Mount on conduit or to any flat surface. A hole on the top has been drilled and tapped for 3/4" (19mm) - 14 NPT conduit. Knockouts are located on the bottom and rear of the unit.

Applications

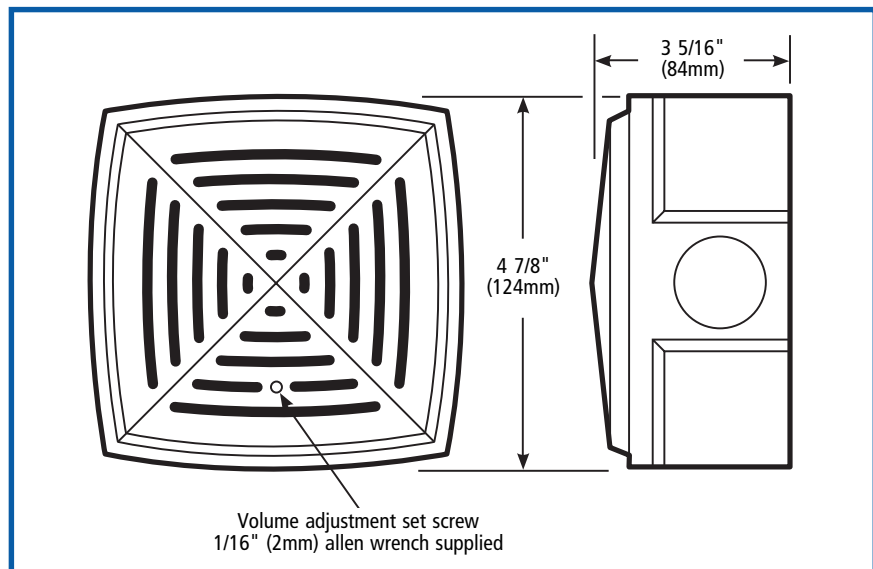
Used where a distinctive, urgent signal is required for outdoor or weatherproof requirements such as: timing scheduling, paging, general alarm, personnel warning, and emergency evacuations.

*PLC COMPATIBILITY

This device may be operated by PLCs that match the input load requirements of this signal. Be sure to match the input load characteristics of the signal with the output characteristics of the PLC before connecting.

Signal Input Load Characteristics

Cat. No.	Operating voltage Volts/60 Hz	Max. off state leakage current mA	Continuous on current mA	Surge (inrush/duration) Amps/milliseconds
876-N5	120V AC	25	120	1.02/.000026



Ordering and Technical Data

Cat. No.	Volts	Amps	VA	DC coil Res. (Ohms)	dB at 10 Ft.
876-E5	12V AC	1.25	15	1.5	
876-G5	24V AC	.63	15.1	5.2	103
876-N5	120V AC	.13	15.6	150	
876-R5	240V AC	.07	16.8	580	